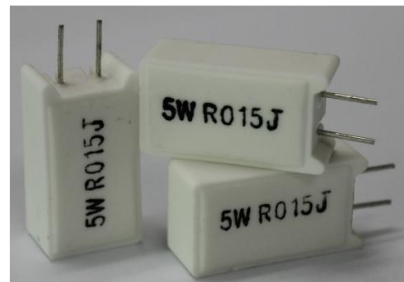


RX27 型系列 水泥固定电阻器 Fixed resistor type RX27 series cement

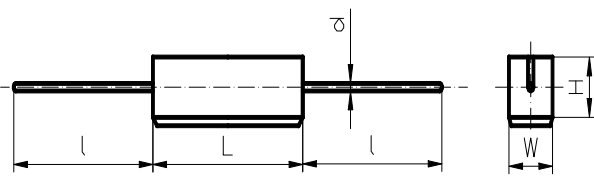
一、产品特点: Features

- 1、可生产轴向、径向，方便安装 It can produce axial, radial and convenient installation
- 2、阻值低、体积小、负荷大、性能稳定 Low resistance, small volume, large load and stable performance
- 3、采用瓷壳包封，作用温度范围宽 It is sealed with porcelain shell with wide operating temperature range
- 4、耐潮湿、耐热、耐燃性好 Moisture resistance, heat resistance, good flame resistance
- 5、产品符合欧盟 ROHS 要求 Products meet EU-ROHS

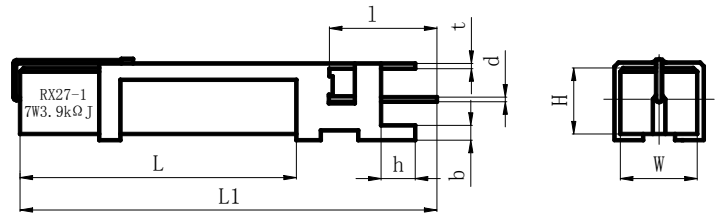
二、产品实物图片 Picture



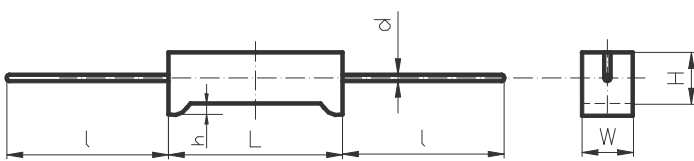
三、外形尺寸 Dimensions



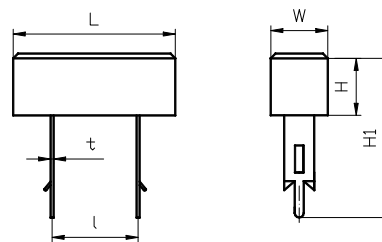
RX27-1



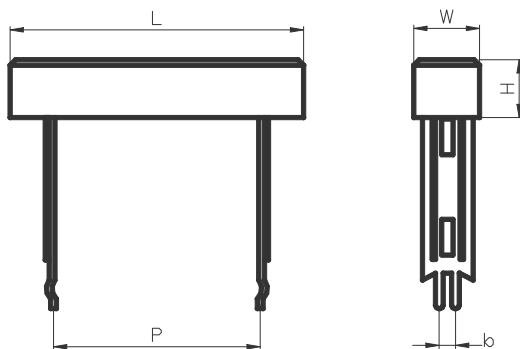
RX27-1V



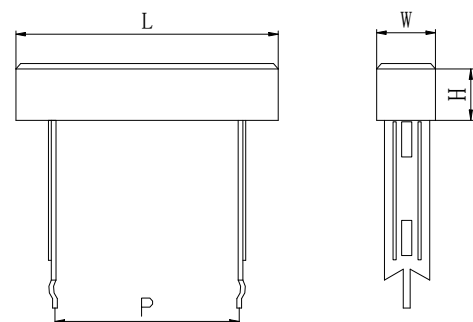
RX27-2



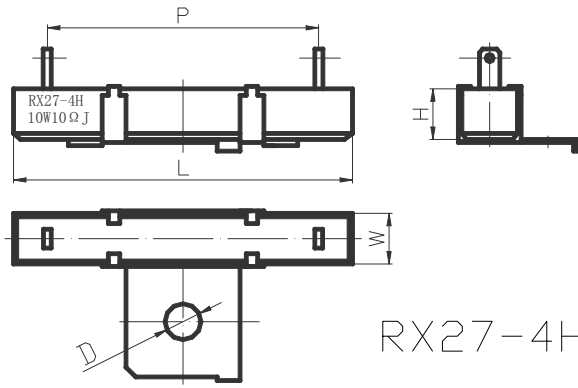
RX27-3(A)



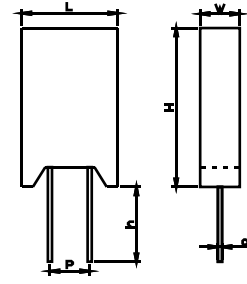
RX27-3(C)



RX27-3(B)



RX27-4H



RX27-5

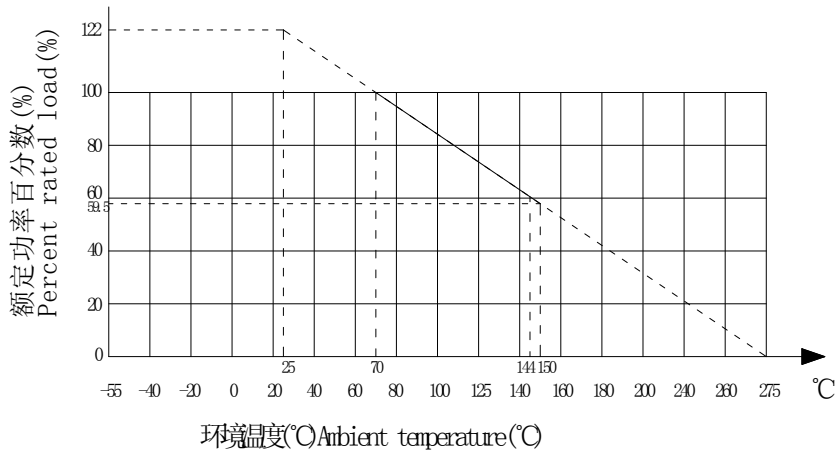
型号 Type	尺寸 Dimensions(mm)						
	L	W±1	H±1	l	P	h±1	d±0.1
RX27-1-2W	18±1	6.4	6.4	25±2	----	----	0.7
RX27-1-3W	22±1	8	8	25±2	----	----	0.8
RX27-1-5W	22±1	9.5	9.5	25±2	----	----	0.8
RX27-1-7W	35±1.5	9.5	9.5	25±2	----	----	0.7
RX27-1-10W	48±2	9.5	9.5	25±2	----	----	0.7
RX27-1-15W	48±2	12.5	12.5	25±2	----	----	0.7
RX27-1-20W	63±2	9.5	9.5	25±2	----	----	0.7
RX27-1-30W	75±2	19	19	25±2	----	----	0.7
RX27-1-40W	90±2	19	19	25±2	----	----	0.7
RX27-1-50W	90±2	19	19	25±2	----	----	0.7
RX27-3-5W	27±1	9.5	9.5	----	15±1.5	----	----
RX27-3-7W	35±1	9.5	9.5	----	22.5±1.5	----	----
RX27-3-10W	48±1	9.5	9.5	----	35±1.5	----	----
RX27-3-15W	48±1	12.5	12.5	----	32.5±1.5	----	----
RX27-3-20W	63±2	12.5	12.5	----	48±1.5	----	----
RX27-3-50W	90±2	19	19	----	68±2	----	----
RX27-4H-15W	48±1.5	12.5	12.5	----	36±1.5	----	----
RX27-4H-20W	63±2	12.5	12.5	----	46.5±1.5	----	----
RX27-4H-30W	75±2	19	19	----	58±2	----	----
RX27-4H-40W	90±2	19	19	----	68±2	----	----
RX27-4H-45W	93±2	21	19	----	68±2	----	----
RX27-4H-60W	93±2	21	19	----	68±2	----	----
RX27-4H-90W	100±2	33	46	----	78±2	----	----
RX27-5-2W	11±1	7±1	21±1	----	5±1	5	0.8
RX27-5-3W	12±1	8	25	----	5±1	5	0.8
RX27-5-5W	13±1	9	26	----	5±1	5	0.8
RX27-5-7W	13±1	9	38.5	----	5±1	5	0.8
RX27-5-10W(S)	16	11	34	----	7.5±1	10	0.8
RX27-5-10W(L)	13	9	51	----	5±1	10	0.8
RX27-5-20W	21±1	13	45	----	7.5±1	5	0.8

四、技术参数 Technical parameters

型号 Type	额定功率 P _R	阻值范围 Resistance Range(Ω)		温度系数 TCR 10 ⁻⁶ /°C	绝缘电压 Insulation voltage(V)	使用电压 The use of voltage
		膜式 Film	绕线式 Winding			
RX27-1	2W	4~39K	0.1~390	250	700	
RX27-1	3W	4~39K	0.18~680	250	700	
RX27-1	5W	4~50K	0.18~680	250	700	
RX27-1	7W	4~100K	0.22~1.5K	250	700	
RX27-1	10W	4~100K	0.33~2.4K	250	700	
RX27-1	15W	4~100K	0.33~2.4K	250	1000	
RX27-1	20W	4~100K	0.33~3.3K	250	1000	
RX27-1	30W	4~100K	0.33~3.3K	250	1000	
RX27-1	40W	4~100K	0.33~3.3K	250	1000	
RX27-1	50W	4~100K	0.33~3.3K	250	1000	
RX27-3	5W	680~100K	0.22~820	250	700	
RX27-3	7W	820~100K	0.39~1.5K	250	700	
RX27-3	10W	820~100K	0.39~2.2K	250	1000	
RX27-3	15W	820~100K	0.39~3.6K	250	1000	
RX27-3	20W	820~100K	0.39~3.6K	250	1000	
RX27-3	50W	820~100K	0.39~3.6K	250	1000	
RX27-4H	15W	820~100K	0.33~3.6K	250	1000	
RX27-4H	20W	820~100K	0.33~3.6K	250	1000	
RX27-4H	30W	820~100K	0.33~3.6K	250	1000	
RX27-4H	40W	820~100K	0.33~3.6K	250	1000	
RX27-4H	45W	820~100K	0.33~3.6K	250	1000	
RX27-4H	60W	820~100K	0.33~3.6K	250	1000	
RX27-4H	90W	820~100K	0.33~3.6K	250	1000	
RX27-5	2W	4~39K	0.18~390	250	700	
RX27-5	3W	4~39K	0.18~680	250	700	
RX27-5	5W	4~50K	0.18~680	250	700	
RX27-5	7W	4~100K	0.18~680	250	700	
RX27-5	10W	4~100K	0.18~680	250	1000	
RX27-5	20W	4~100K	0.18~1000	250	1000	

五、降功耗曲线图 Power derating curve

绕线式 Winding



六、基本特性 The basic features

试验项目 Test item	试验方法 Test method	性能要求 Specifications
短时过负荷 Short time overload	10P _R , 5s	$\Delta R \leq \pm (1\%R + 0.05\Omega)$
耐焊接热 Resistance to soldering heat	350°C ± 10°C, 3.5s ± 5s, 2+0.5mm	$\Delta R \leq \pm (1\%R + 0.05\Omega)$
可焊性 Solderability	265°C ± 5°C, 5s ± 0.5s, 2+0.5mm	浸锡面 covered ≥ 95%
引出端强度 Terminal strength	拉力 Tensile: 10N	$\Delta R \leq \pm (1\%R + 0.05\Omega)$
温度快速变化 Rapid Change of temperature	-55°C ~ +155°C, 5cycles	$\Delta R \leq \pm (2\%R + 0.05\Omega)$
室温耐久性 Endurance at room temperature	70°C ± 2°C, U _R , 1000h	$\Delta R \leq \pm (5\%R + 0.1\Omega)$
气候顺序 Climate sequence	GB/T5729-2003 中 4.23 条 as specified in GB/T5729-2003, item 4.23	$\Delta R \leq \pm (5\%R + 0.5\Omega)$
振动 Vibration	(10~500)Hz, 0.75mm 或 98/s ² (取较小者 whichever smaller), 6h	$\Delta R \leq \pm (1\%R + 0.05\Omega)$
上限类别温度耐久性 Endurance at upper category temperature	155°C, 1000h	$\Delta R \leq \pm (5\%R + 0.5\Omega)$
稳态湿热 Damp heat, steady state	40°C ± 2°C, RH(90~95)%, 21days	$\Delta R \leq \pm (5\%R + 0.5\Omega)$

七、订货指南 Ordering Information

RX27-1 - 5W-15Ω-J

型号 Type--额定功率 Rated Power—标称阻值 Nominal Resistance---允许偏差 Tolerance

对于本页内容的任何变更，恕不另行通知。订货前请确认技术参数。Specifications are subject to change without notice

SZGRT®

深圳市格瑞特电子有限公司
Shen Zhen Great Electronics Co.,LTD

二、电阻器标称 Resistor nominal

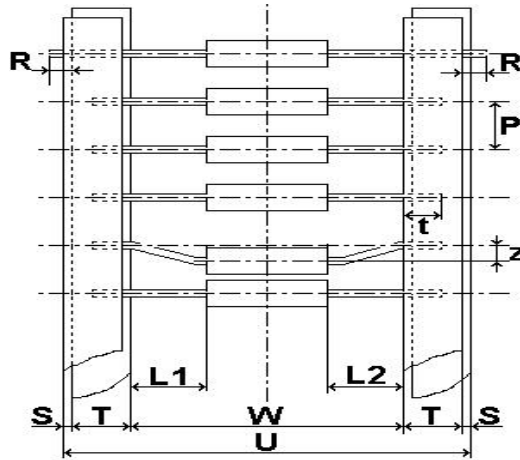
电阻器标称阻值系列 Series of resistor values

E12	E24	E96	E192	E96	E192	E96	E192	E96	E192
10	10	100	100	178	178	316	316	562	562
			101		180		320		569
	11	102	102	182	182	324	324	576	576
			104		184		328		583
12	12	105	105	187	187	332	332	590	590
			106		189		336		597
	13	107	107	191	191	340	340	604	604
			109		193		344		612
15	15	110	110	196	196	348	348	619	619
			111		198		352		626
	16	113	113	200	200	357	357	634	634
			114		203		361		642
18	18	115	115	205	205	365	365	649	649
			117		208		370		657
	20	118	118	210	210	374	374	665	665
			120		213		379		673
22	22	121	121	215	215	383	383	681	681
			123		218		388		690
	24	124	124	221	221	392	392	698	698
			126		223		397		706
27	27	127	127	226	226	402	402	715	715
			129		229		407		723
	30	130	130	232	232	412	412	732	732
			132		234		417		741
33	33	133	133	237	237	422	422	750	750
			135		240		427		759
	36	137	137	243	243	432	432	768	768
			138		246		437		777
39	39	140	140	249	249	442	442	787	787
			142		252		448		796
	43	143	143	255	255	453	453	806	806
			145		258		459		816

47	47	147	147	261	261	464	464	825	825
			149		264		470		835
	51	150	150	267	267	475	475	845	845
			152		271		481		856
56	56	154	154	274	274	487	487	866	866
			156		277		493		876
	62	158	158	280	280	499	499	887	887
			160		284		505		898
68	68	162	162	287	287	511	511	909	909
			164		291		517		920
	75	165	165	294	294	523	523	931	931
			167		298		530		942
82	82	169	169	301	301	536	536	953	953
			172		305		542		965
	91	174	174	309	309	549	549	976	976
			176		312		556		988

三、加工方式 Processing mode:

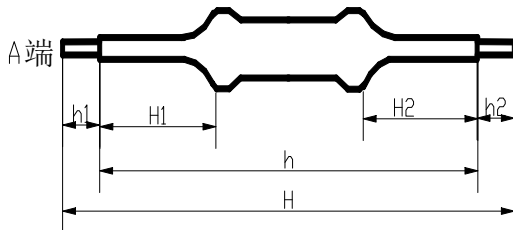
1、轴式编带式样及尺寸 The shape and size of shaft braid



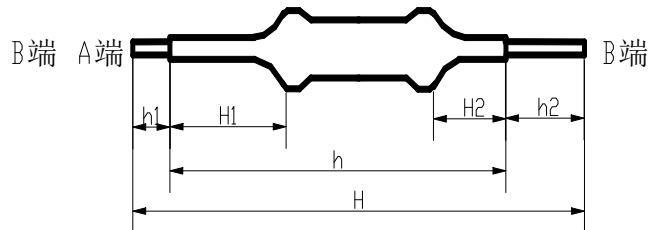
编带规格 Braided specifications	尺寸 Dimensions (mm)								
	U	W	P	L1-L2	T	Z	R	t	S
T26	38±1	26±0.5	5±0.5	<0.5	6±0.1	≤1	0	≥3.2	<0.8
T52	64±2	52±1		<1		≤1,2			
T63	75±2	63±1	10±0.5						
T72	84±2	72±2	5±0.5	<1.2					
	84±2	72±2	10±0.5						

2、套管式样及尺寸 The shape and size of the casing

TA型



TB型



形状 Shape	尺寸 Dimensions (mm)					
	H±1	H1±1	H2±1	h ≤ h (1±5%)	h1±0.7	h2±2
TA 型	70	20	20	50	10	10
TB 型	80	5	25	40	10	30

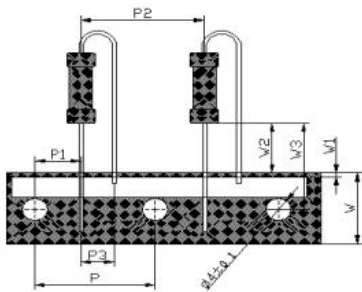
注：套管尺寸可根据客户要求制做

Remark: The casing size can be made according to customer demands

3、立式编带式样及尺寸 Vertical braid pattern and size

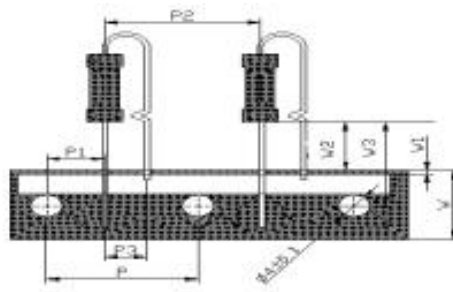
P1 立式编带加工式样

P1 vertical braid processing style



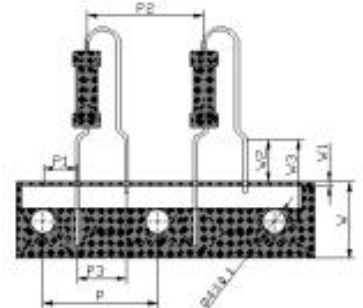
P2 立式编带加工式样

P2 vertical braid processing style



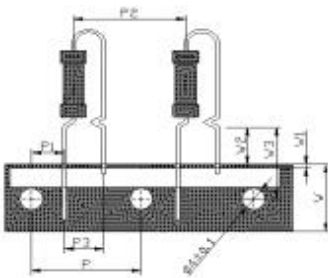
P3 立式编带加工式样

P3 vertical braid processing style



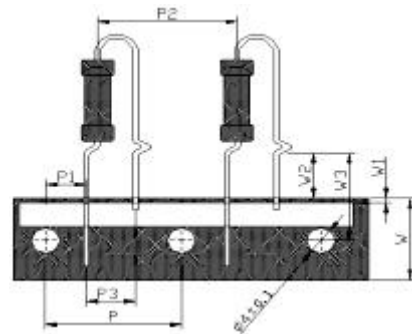
P4 立式编带加工式样

P4 vertical braid processing style



P5 立式编带加工式样

P5 vertical braid processing style



立编方式 Vertical mode	尺寸 Dimensions (mm)							
	$P \pm 0.7$	$P1 \pm 0.7$	$P2 \pm 1.0$	$P3 \pm 0.5$	$W \pm 0.5$	W1	W2	W3
P1	12.7	3.85	12.7	5.0	18.0	$0.5 < W1 < 1$	$W2 > 7.0$	17 ± 1.0
P2	12.7	3.85	12.7	5.0	18.0	$0.5 < W1 < 1$	$W2 > 7.0$	17 ± 1.0
P3	12.7	3.85	12.7	5.0	18.0	$0.5 < W1 < 1$	$W2 > 7.0$	17 ± 1.0
P4	12.7	3.85	12.7	5.0	18.0	$0.5 < W1 < 1$	$W2 > 7.0$	17 ± 1.0
P5	12.7	3.85	12.7	5.0	18.0	$0.5 < W1 < 1$	$W2 > 7.0$	17 ± 1.0