

★特性/Features

◎ Various high power inductors are superior to be high saturation for surface mounting

↑ 各种高功率电感优越高饱和和表面安装

Inductance tolerance: 10uH_56uH±20%, 56uH_330uH±10%

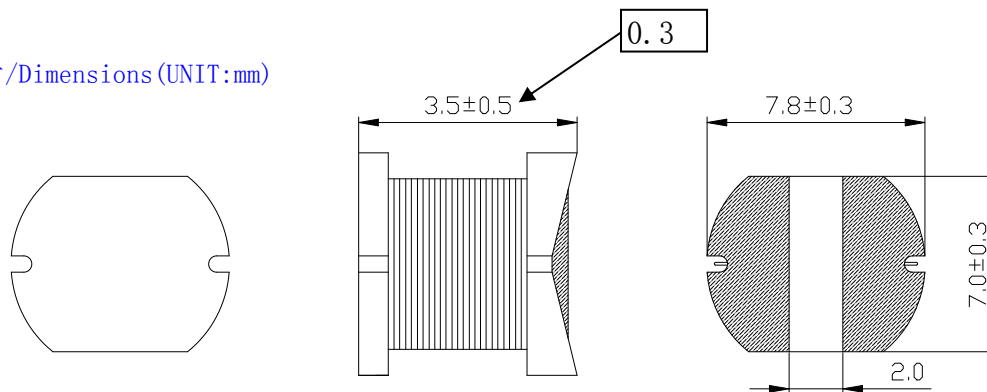
电感公差: 10uH_47uH±20%, 56uH_330uH±10%

Inductance drop=10%typ.at rated IDC/电感落差: 10%typ.at rated IDC

Operating temperature range:-25°C_+85°C/温度工作范围-25°C_+85°C



★机械尺寸/Dimensions (UNIT:mm)



★标准的电气说明书/Standard electrical specifications

Part number 规格型号	Inductance (uH) 电感量	Test Frequency (KHz) 测试频率	DC Resistance 最大直流电阻 (Ω) (max)	I. D. C 额定电流 (A) (max)
SR73LF-100	10	100	0.08	1.44
SR73LF-120	12	100	0.09	1.39
SR73LF-150	15	100	0.10	1.24
SR73LF-180	18	100	0.11	1.12
SR73LF-220	22	100	0.13	1.07
SR73LF-270	27	100	0.15	0.94
SR73LF-330	33	100	0.17	0.85
SR73LF-390	39	100	0.22	0.74
SR73LF-470	47	100	0.25	0.68
SR73LF-560	56	100	0.28	0.64
SR73LF-680	68	100	0.33	0.59
SR73LF-820	82	100	0.41	0.54
SR73LF-101	100	1	0.48	0.51
SR73LF-121	120	1	0.54	0.49
SR73LF-151	150	1	0.75	0.40
SR73LF-181	180	1	1.02	0.36
SR73LF-221	220	1	1.20	0.31
SR73LF-271	270	1	1.31	0.29
SR73LF-331	330	1	1.50	0.28

★超出以上规格的特殊要求可依客户要求设计

Special inquiries besides the above common used types can be met on your requirement.