

### ★特性/Features

Various high power inductors are superior to be high saturation for surface mounting

↑ 各种高功率电感优越高饱和表面安装

Inductance tolerance: 10uH~27uH±20%, 33uH~47uH±15%, 56uH~3000uH±10%

电感公差: 10uH~27uH±20%, 33uH~47uH±15%, 56uH~3000uH±10%

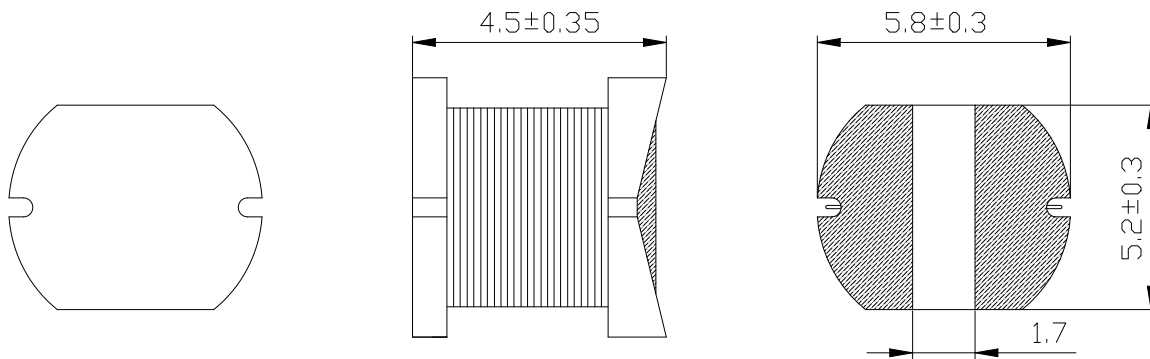
Inductance drop=10%typ.at rated IDC/电感落差: 10%typ.at rated IDC

Operating temperature range: -25°C~+85°C/温度工作范围-25°C~+85°C

### SR54LF TYPE



### ★机械尺寸/Dimensions (UNIT:mm)



### ★标准的电气说明书/Standard electrical specifications

Part number 规格型号	Inductance (uH) 电感量	Test Frequency (KHz) 测试频率	DC Resistance 最大直流电阻 (Ω) (max)	I. D. C 额定电流 (A) (max)
SR54LF-100	10	100	0.10	1.44
SR54LF-120	12	100	0.10	1.40
SR54LF-150	15	100	0.14	1.30
SR54LF-180	18	100	0.15	1.23
SR54LF-220	22	100	0.18	1.11
SR54LF-270	27	100	0.20	0.97
SR54LF-330	33	100	0.23	0.88
SR54LF-390	39	100	0.32	0.80
SR54LF-470	47	100	0.37	0.70
SR54LF-560	56	100	0.42	0.68
SR54LF-680	68	100	0.46	0.61
SR54LF-820	82	100	0.60	0.58
SR54LF-101	100	1	0.70	0.52
SR54LF-121	120	1	0.93	0.48
SR54LF-151	150	1	1.10	0.40
SR54LF-181	180	1	1.38	0.38
SR54LF-221	220	1	1.57	0.35
SR54LF-102K	1000	1	6.50	0.22
SR54LF-152K	1500	1	9.56	0.19
SR54LF-202K	2000	1	14.3	0.16
SR54LF-252K	2500	1	16.7	0.15
SR54LF-302K	3000	1	19.4	0.15

### ★超出以上规格的特殊要求可依客户要求设计

Special inquiries besides the above common used types can be met on your requirement.