

★特性/Features

Various high power inductors are superior to be high saturation for surface mounting

↑ 各种高功率电感优越高饱和表面安装

Inductance tolerance: 10uH..3000uH±10%

电感公差: 10uH~3000uH±10%,

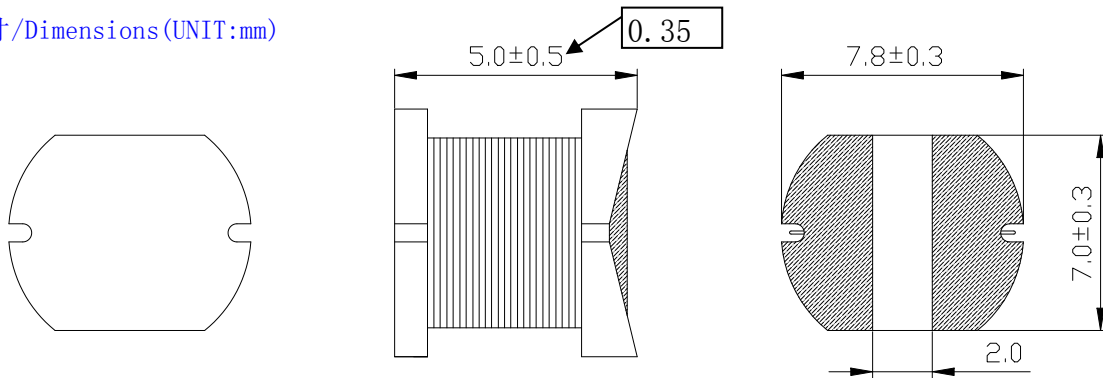
Inductance drop=10%typ.at rated IDC/电感落差: 10%typ.at rated IDC

Operating temperature range:-25°C~+85°C/温度工作范围-25°C~+85°C

SR75LF TYPE



★机械尺寸/Dimensions (UNIT:mm)



★标准的电气说明书/Standard electrical specifications

Part number 规格型号	Inductance (uH) 电感量	Test Frequency (KHz) 测试频率	DC Resistance 最大直流电阻 (Ω) (max)	I. D. C 额定电流 (A) (max)
SR75LF-100	10	100	0.07	2.30
SR75LF-120	12	100	0.08	2.00
SR75LF-150	15	100	0.09	1.80
SR75LF-180	18	100	0.10	1.60
SR75LF-220	22	100	0.11	1.50
SR75LF-270	27	100	0.12	1.30
SR75LF-330	33	100	0.13	1.20
SR75LF-390	39	100	0.16	1.10
SR75LF-470	47	100	0.18	1.10
SR75LF-560	56	100	0.24	0.94
SR75LF-680	68	100	0.28	0.85
SR75LF-820	82	100	0.37	0.78
SR75LF-101	100	1	0.43	0.72
SR75LF-121	120	1	0.47	0.66
SR75LF-151	150	1	0.64	0.58
SR75LF-181	180	1	0.71	0.51
SR75LF-221	220	1	0.96	0.49
SR75LF-271	270	1	1.11	0.42
SR75LF-331	330	1	1.26	0.40
SR75LF-391	390	1	1.77	0.36
SR75LF-471	470	1	1.96	0.34
SR75LF-901K	900	1	4.80	0.60
SR75LF-152K	1500	1	10.25	0.45
SR75LF-202K	2000	1	13.65	0.40
SR75LF-252K	2500	1	16.1	0.36
SR75LF-302K	3000	1	17.55	0.30

★超出以上规格的特殊要求可依客户要求设计

Special inquiries besides the above common used types can be met on your requirement.